



PUERTO RICO PRACTICAL SHOOTING ASSOCIATION, INC.

Stage: 1

Peter Lavergne Single Stack Classic



START POSITION: Heels touching marks facing downrange hands relaxed at side.

GUN READY CONDITION: Pistol UNLOADED and holstered. All magazine on the table

SCORING: 19 Rounds, 95 points

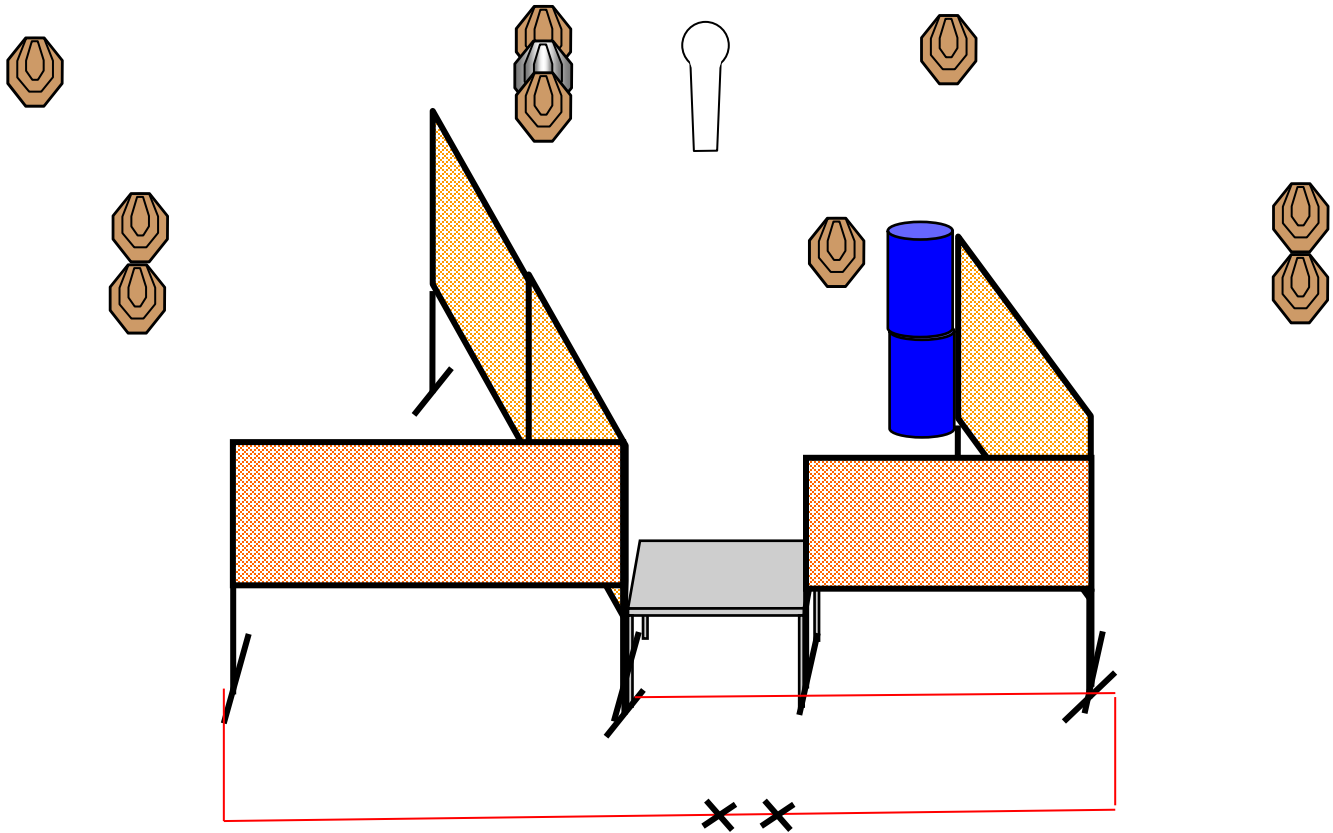
TARGETS: 9 Paper Targets, 1 Poppers

STAGE PROCEDURE: Upon start signal, engage targets as they become visible from within the shooting area.

SCORED HITS: Best two per target

START-STOP: Audible - Last shot

RULES: Per latest IPSC rule book





PUERTO RICO PRACTICAL SHOOTING ASSOCIATION, INC.

Stage: 2

Peter Lavergne Single Stack Classic



START POSITION: Inside of Box A both wrist above respective shoulders facing up range.

GUN READY CONDITION: Pistol loaded and holstered.

SCORING: 12 Rounds, 80 points

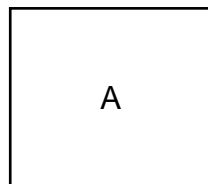
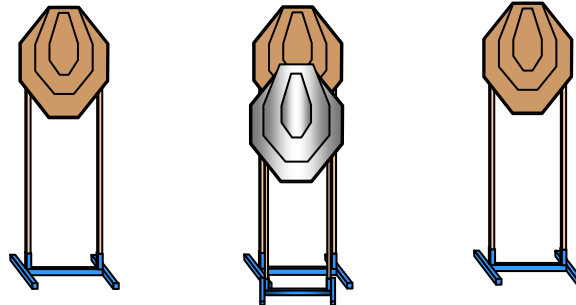
TARGETS: 3 Paper Targets,

SCORED HITS: Best Four per target

START-STOP: Audible - Last shot

RULES: Per latest IPSC rule book

STAGE PROCEDURE: Upon start signal, engage targets with two shot minimum from within the shooting area, then make a mandatory reload and engage targets with minimum 2 shoot each.





PUERTO RICO PRACTICAL SHOOTING ASSOCIATION, INC.

Stage: 1

Peter Lavergne Single Stack Classic



START POSITION: Anywhere inside the shooting area.

GUN READY CONDITION: Pistol loaded and holstered.

SCORING: 22 Rounds, 110 points

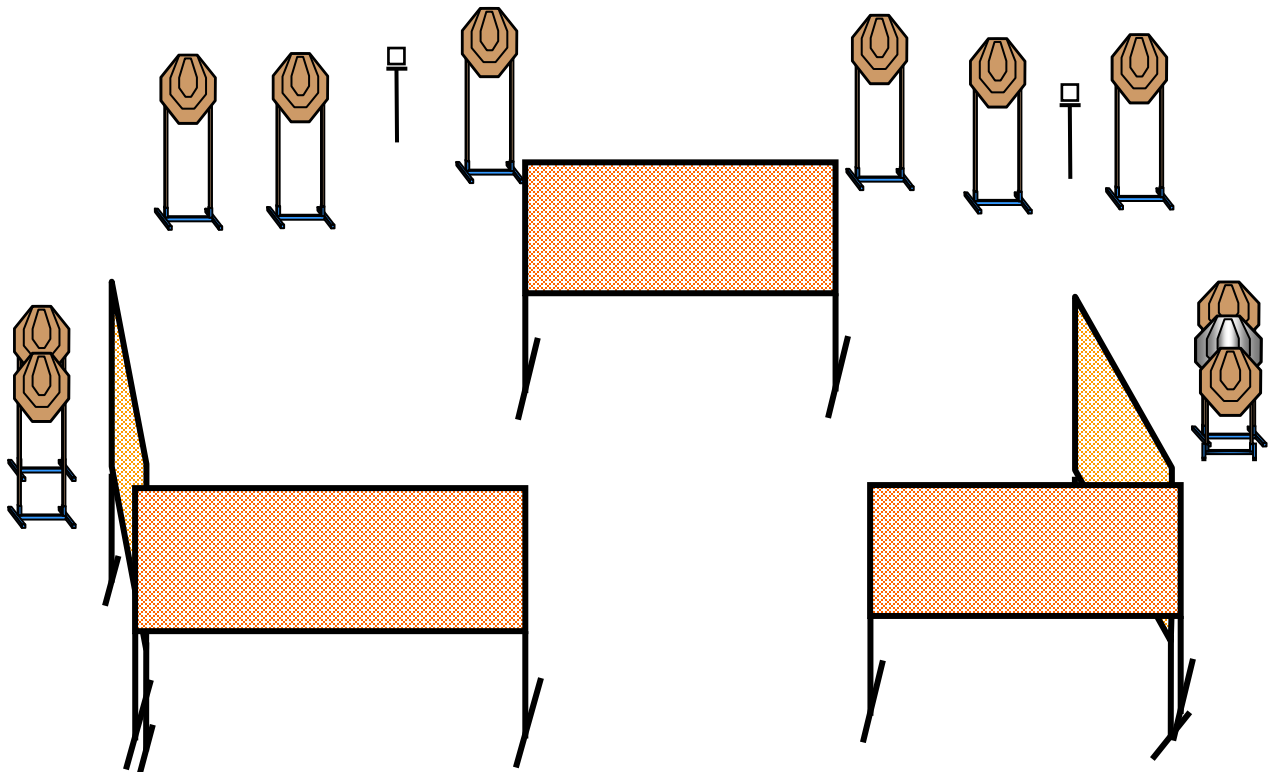
TARGETS: 10 Paper Targets 2 Steels,

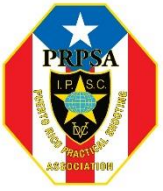
STAGE PROCEDURE: Upon start signal, engage targets as they become visible from within the shooting area.

SCORED HITS: Best two per target

START-STOP: Audible - Last shot

RULES: Per latest IPSC rule book





PUERTO RICO PRACTICAL SHOOTING ASSOCIATION, INC.

Stage: 4

Peter Lavergne Single Stack Classic



START POSITION: Inside the shooting area heels touching marks hands relaxed at side.

GUN READY CONDITION: Pistol loaded and holstered.

SCORING: 16 Rounds, 80 points

TARGETS: 8 Paper Targets,

SCORED HITS: Best Three per target

START-STOP: Audible - Last shot

RULES: Per latest IPSC rule book

STAGE PROCEDURE: Upon start signal, engage targets as they become visible from within the shooting area.

